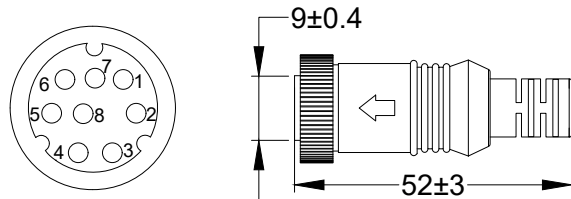


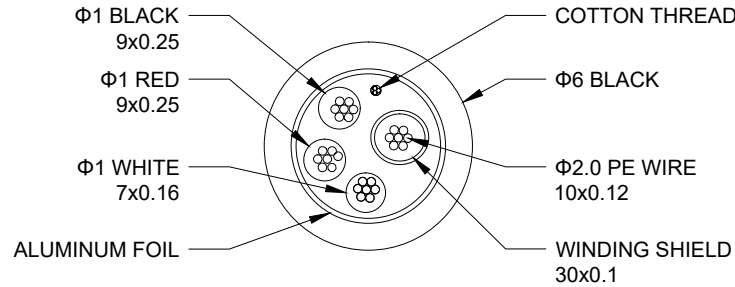
### VIEW A



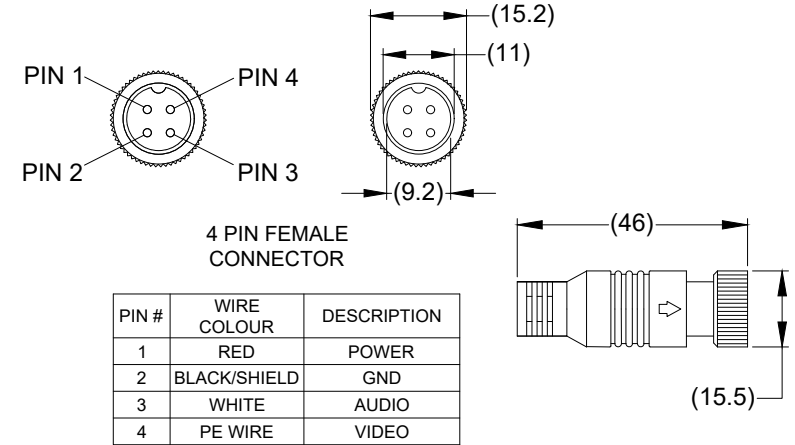
8 PIN THREADED MINI DIN MALE CONNECTOR

PIN #	WIRE COLOUR	DESCRIPTION
1	-	-
2	WHITE	AUDIO
3	SHIELD	GND
4	RED	POWER
5	-	-
6	-	-
7	-	-
8	PE WIRE	VIDEO

### SECTION Z-Z



### VIEW B



PIN #	WIRE COLOUR	DESCRIPTION
1	RED	POWER
2	BLACK/SHIELD	GND
3	WHITE	AUDIO
4	PE WIRE	VIDEO

**NOTES:**

- FOR LABEL AND PACKAGING DETAILS REFER TO MASTER BOM.
- ANY CUSTOMER MODIFICATION OF THIS PRODUCT CAUSING SUBSEQUENT FAILURE IS NOT A LIABILITY OF BRIGADE ELECTRONICS GROUP PLC.
- IDENTIFICATION LABELS TO BE PRESENT AND CORRECT.

**PROPRIETARY NOTICE**

THIS DESIGN AND TECHNICAL INFORMATION APPEARING ON THIS DRAWING IS THE PROPERTY OF BRIGADE ELECTRONICS, AND IS DISCLOSED IN CONFIDENCE. IT IS NOT TO BE COPIED, REPRODUCED, REVEALED TO OR EXPROPRIATED BY OTHERS, EITHER IN WHOLE OR IN PART WITHOUT THE EXPRESS WRITTEN CONSENT OF BRIGADE ELECTRONICS.



Assembly Pl Approval w.XIA	Approved by JN BATOOR	Checked by A.KING	Drawn by R.TIMMS
<p>Angle of Projection Third Angle</p>	Units mm	Scale N/A	Released 19.06.24
	Status RELEASED	Assembly Ref VBV-22X0C-CA (No Alarm)	
	Part No 8037	BE-004912-00-24	